

BExCP3A-BG/BExCP3B-BG Break Glass Call Point

The SIL 2 compliant BExCP3A-BG and BExCP3B-BG break glass manual call points are approved for Zone 1, 2, 21 and 22 hazardous areas for the control of fire and gas alarm systems.

Available with and without monitoring resistors all versions are certified to ATEX and IECEx standards. The BEx range features enclosures manufactured from corrosion proof, marine grade, copper free LM6 (A413) aluminium with a chromate and powder coat finish.

Features

- Alternative housing colours are available to meet specific requirements.
- DIN rail mounted terminal blocks: 8 × 2.5mm²
- Stainless Steel lift flap
- Metalised Polyester "Duty" label.
- Series and/or End of Line resistors.

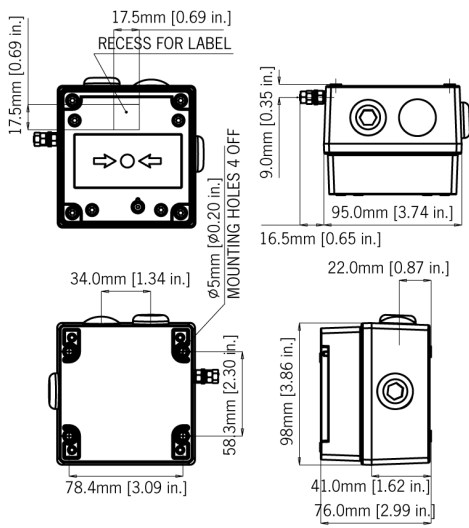
Approvals

- ATEX certificate: Sira 09ATEX3286X
- IECEx certificate: IECEx SIR 09.0121X
- INMETRO certificate: 10IEEx-0011X
- Ex EAC TR CU 012/2011 certified: KZ.1510019.22.01.00271
- SIL 2 certified to IEC 61508 (2010)
- Complies with design requirements of EN54-11

Coding

- BExCP3A-BG:
II 2G Ex d e IIC T6 Gb Ta = -40°C to +55°C
II 2D Ex t IIIC T60°C Db IP66
- BExCP3B-BG:
II 2G Ex d e mb IIC T4 Gb Ta = -40°C to +50°C
II 2D Ex t IIIC T70°C Db IP66





Specification

BExCP3A-BG:	II 2G Ex d e IIC T6 Gb II 2D Ex t IIIC T60°C Db IP66
BExCP3B-BG:	II 2G Ex d e mb IIC T4 Gb II 2D Ex t IIIC T70°C Db IP66
Ambient:	Ta = -40°C to +55°C [-40° to +131°F] (+50°C for BExCP3B)
Ingress protection:	IP66
Enclosure material:	Marine grade copper free LM6 Aluminium
Enclosure finish:	Chromated & powder coated finish: anti-corrosion.
Colour:	RAL3000 Red (others available on request)
Cable entries:	2 x M20 clearance top and 1 x M20 clearance side. Back box can be rotated to give 2 x bottom and 1 x side entries.
Stopping plugs:	2 x Ex e nylon plugs as standard Brass and stainless steel plugs optional
Terminals:	6 × 4.0mm ² cables or 8 × 2.5mm ² DINrail
Weight:	0.8Kg

Part Codes

Version:	Part code:	Description:
Type:	BExCP3A-BG	A type - no end of line devices
	BExCP3B-BG	B type - choice of end of line devices
Terminals:	ST	ST: Standard
	DR	DR: DINrail (only on BExCP3B type)
Lift flap:	LF	Lift flap
	NF	No lift flap
Duty label:	NL	No duty label
	DL	Duty label required - specify contents
Colour:	RD	Red enclosure colour
	XX	Other enclosure colour - contact sales
Voltage:	48V	System voltage (only required for BExCP3B type)
	24V	
	12V	
	6V	
E.O.L. Module: [Exxx]	ExxxR	Resistor value in Ohms e.g. E470R = 470 Ohm
	ED1	Diode IN4007 = ED1
	ExxxZ	Zener diode e.g. E5V1Z = 5.1V (only required for BExCP3B type)
Series Module: [Sxxx]	SxxxR	Resistor value in Ohms e.g. S1K5R = 1.5K Ohm
	SD1	Diode IN4007 = SD1
	SxxxZ	Zener diode e.g. S5V1Z = 5.1V (only required for BExCP3B type)
Accessories:	SP65-0001-A2	Pole Mount Bracket Kit 2" St/St A2 (304)
	SP65-0001-A4	Pole Mount Bracket Kit 2" St/St A4 (316)
	SP65-0002-A2	Sunshade - St/St A2 (304)
	SP65-0002-A4	Sunshade - St/St A4 (316)

Versions

Version:	Voltage:	Switch:	
BExCP3A-BG	250V ac Max. 50V dc Max.	5.0A Max. 1.0A Max.	
Version:	Nom. / Max. Voltage:	Switch:	Min. EOL / Series Value:Ⓜ
BExCP3B-BG	48V/56V 24V/28V 12V/15V 6V/9V	56V dc Max. Rating: <50V: 1.0A >50V: 0.75A	1K8 470R 120R 47R